



CHOW300/IP66

Camera Housing IP66 230 VAC & Cable management Wall Bracket

The GE range of camera housings has been carefully designed not only to meet the harsh environmental requirements of today's CCTV systems, but also to offer a wide range of fixings and specifications.

These stylish housings have been thoughtfully designed so that they not only look good, but are also easy to install and service. They all feature the slide and hang servicing facility. The top of the housing, when unsecured, slides forward and then hangs below the housing body giving maximum accessibility to the camera and lens inside. The 300 series are constructed from either die-cast or extruded aluminium protected with an epoxy paint coating to give durability. Within the 300 series of housings there is a cable management bracket option. This feature hides and protects the system cables where necessary, due to either aesthetic or anti-vandalism requirements.



Standard Features

- Aluminium or ABS construction
- IP66
- Cable management version
- Wall or ceiling mount
- Polyester paint finish
- Internal versions
- External versions with heaters and thermostats
- Optional internal 24 VAC camera power supply

CHOW300/IP66

Camera Housing IP66 230 VAC & Cable management Wall Bracket

Specifications

Construction

- Die-cast or extruded aluminium, epoxy paint coated

IP rating

- IP66

Bracket options

- Ceiling, wall or wall mount cable management version

Heater

- 220 VAC

PSU

- 220 VAC input / 24 VAC output

Heater

- 70 W

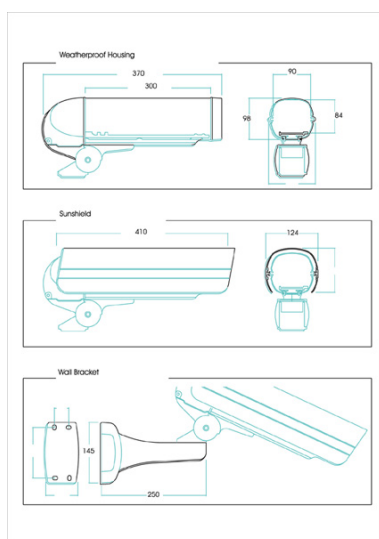
Useable internal length

- 300 mm

Dimensions (LxWxH)

- 410 x 124 x 121 mm

Diagram



Ordering Information

CHOW300/IP66

Camera Housing IP66 230 VAC & Cable management Wall Bracket



www.gesecurity.net